

EC 高静压后倾离心风机  
B-Max

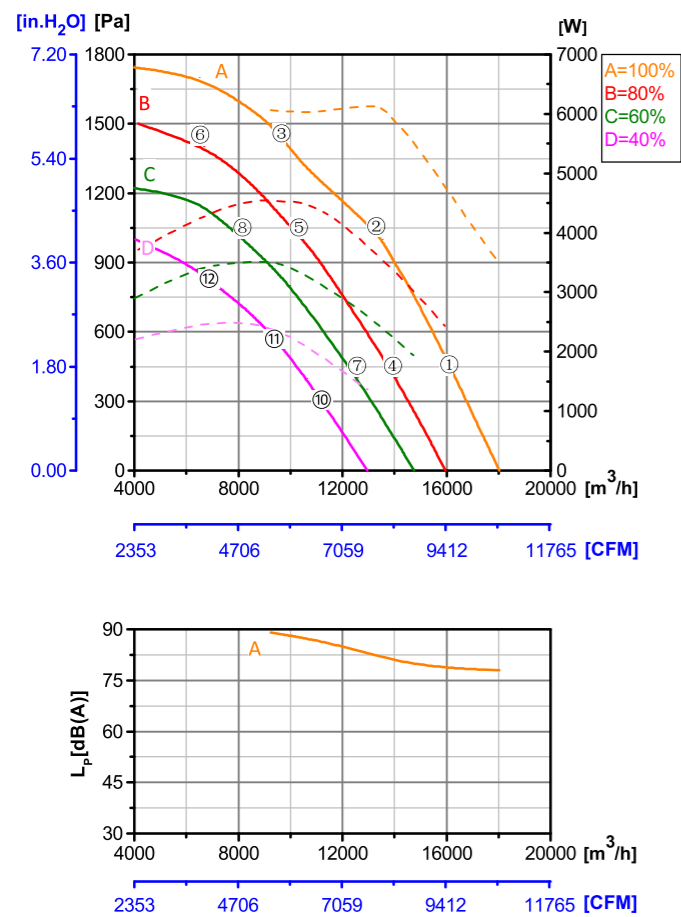
ErP2015  
EXCEEDS THE NORM



Φ 500

转子材质 Rotor Material: 碳钢 Carbon steel  
风叶材质 Blade Material: 铝合金 Aluminum alloy sheet  
防护等级 Ingress Protection: IP55  
绝缘等级 Insulation Class: F  
轴承类型 Bearing Type: 免维护滚珠球轴承  
Maintenance free ball bearing

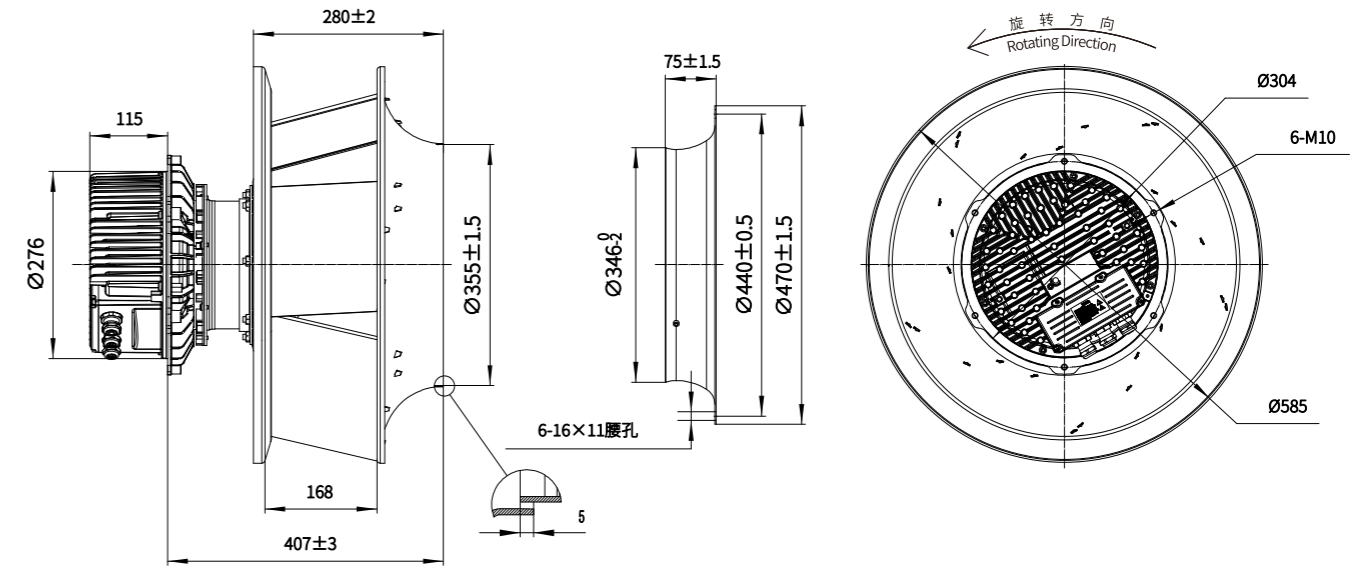
性能曲线 Performance Curves



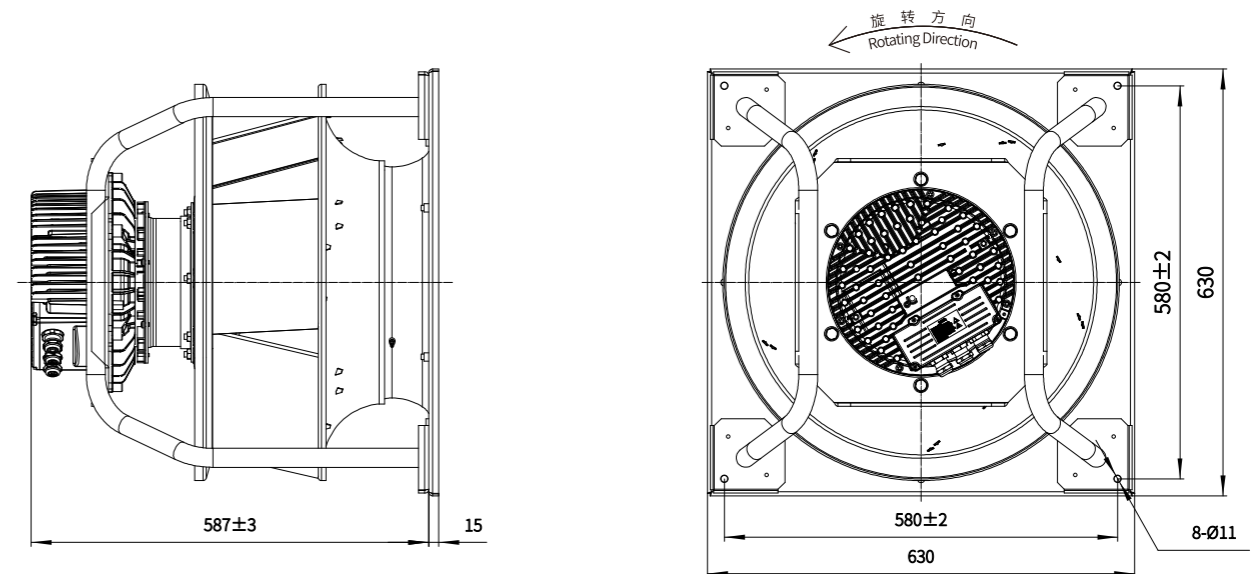
测试节点 Test Point	转速 Speed rpm	输入功率 Input Power W
1	2261	4509
2	2259	6149
3	2195	6039
4	2016	3347
5	2015	4522
6	2013	4294
7	1854	2766
8	1853	3515
9	1858	2377
10	1653	2105
11	1653	2409
12	1651	2487

Erp2015 Data:  
Efficiency  $\eta_{statA}$  = 68.3%  
Efficiency grade  $N_{actual}$  = 70.6,  $N_{target}$  = 62  
Test report No. : L-20230905-006

后倾离心风机 Motorized Backward Curved Impeller



带支架 With Supporting Rack



产品型号 Model No.	电压 Voltage	频率 Frequency	转速 Speed	输入功率 Input Power	电流 Current	运行温度 Working Temp.	认证 Approvals
	VDC	Hz	RPM	W	A	Min/Max (°C)	
EC180-B500-C01	3~400	50/60	2250	3240	4.7	-25/+40	CCC,CE,UKCA