

DC 金属叶轮后倾离心风机
DC Backward Centrifugal Fan with Metal Impeller

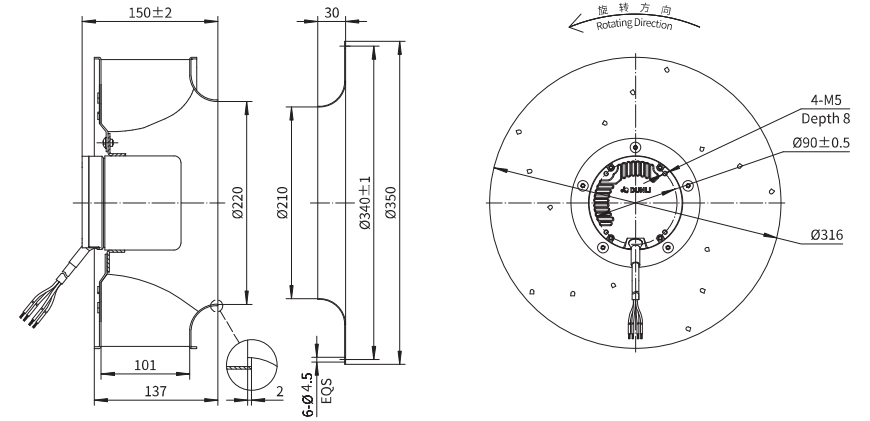
Erp2015
EXCEEDS THE NORM

后倾离心风机 Motorized Backward Curved Impeller

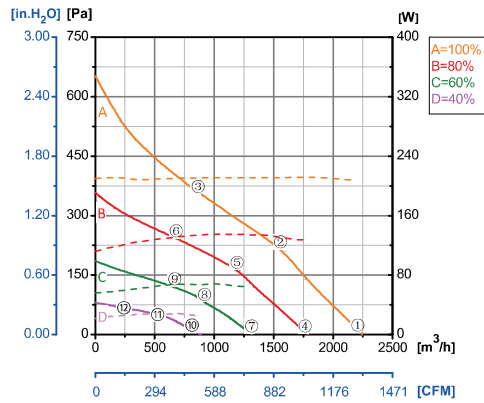


Φ 310

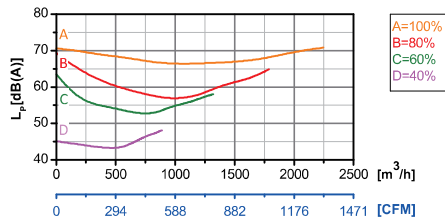
转子材质 Rotor Material: 碳钢 Carbon steel
 叶轮材质 Impeller Material: 铝合金 Aluminum alloy sheet
 防护等级 Ingress Protection: IP42
 绝缘等级 Insulation Class: F
 轴承类型 Bearing Type: 免维护滚珠轴承
 Maintenance free ball bearing



性能曲线 Performance Curves



测试节点 Test Point	转速 Speed rpm	输入功率 Input Power W
1	1852	208
2	1711	210
3	1739	211
4	1478	127
5	1404	134
6	1430	132
7	1092	61
8	1048	67
9	1061	69
10	741	26
11	724	28
12	728	28



Erp2015 Data:
 Efficiency η_{statA} = 52.5%
 Efficiency grade N_{actual} = 70, N_{target} = 62
 Test report No. : L-20210302-005-112

产品型号 Model No.	电压 Voltage	频率 Frequency	转速 Speed	输入功率 Input Power	电流 Current	运行温度 Working temp.	认证 Approvals
	VDC	Hz	RPM	W	A	Min/Max (°C)	
DC102-B310-004	48	/	1860	230	4.80	-20/+60	CCC, CE