

EC 复翼叶轮后倾离心风机
EC Backward Curved Centrifugal Fan with Aileron Impeller

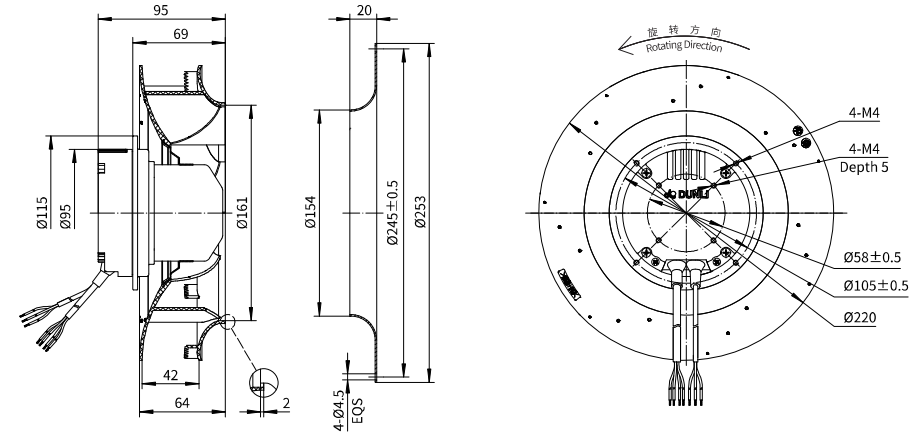
Erp2015
EXCEEDS THE NORM

后倾离心风机 Motorized Backward Curved Impeller

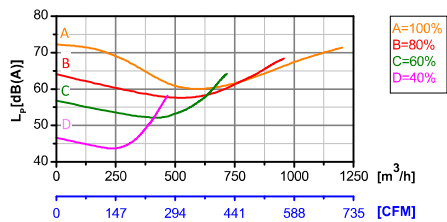
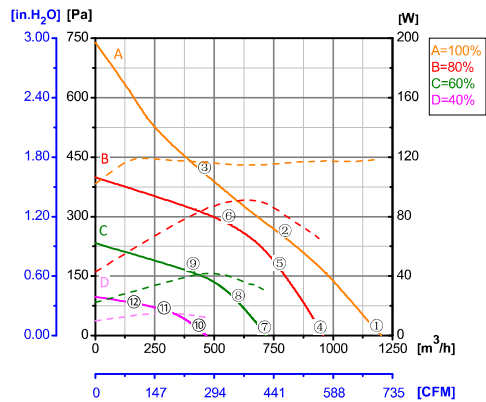


Φ 220-L

转子材质 Rotor Material: 碳钢 Carbon steel
 叶轮材质 Impeller Material: 塑料 Plastic
 防护等级 Ingress Protection: IP44
 绝缘等级 Insulation Class: F
 轴承类型 Bearing Type: 免维护滚珠球轴承
 Maintenance free ball bearing



性能曲线 Performance Curves



测试节点 Test Point	转速 Speed rpm	输入功率 Input Power W
1	3212	118
2	2844	116
3	2864	117
4	2564	62
5	2573	82
6	2578	91
7	1935	30
8	1944	37
9	1946	41
10	1278	12
11	1279	14
12	1279	15

Erp2015 Data:
 Efficiency η_{statA} = 57.2%
 Efficiency grade N_{actual} = 77.6, N_{target} = 62
 Test report No. : L-20210302 -005-005

产品型号 Model No.	电压 Voltage	频率 Frequency	转速 Speed	输入功率 Input Power	电流 Current	运行温度 Working temp.	认证 Approvals
	VAC	Hz	RPM	W	A	Min/Max (°C)	
EC72-B220-006	1~220/230	50/60	3200	115	0.96	-20/+60	CCC, CE