

DC 高效塑料叶轮后倾离心风机  
DC High-efficiency Backward Curved Centrifugal Fan

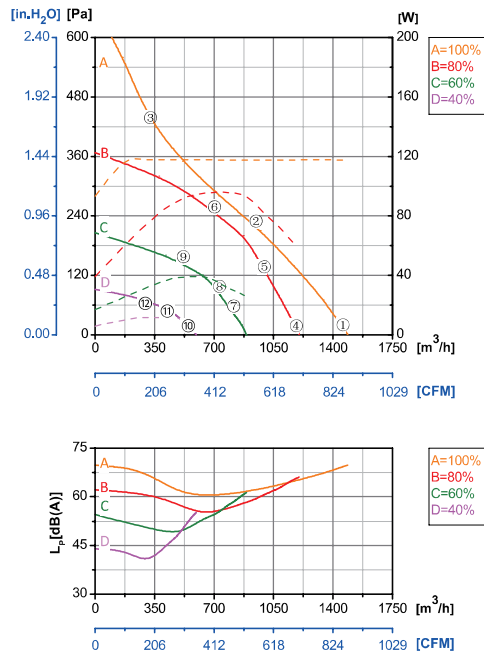
Erp2015  
EXCEEDS THE NORM



Φ 250

转子材质 Rotor Material: 碳钢 Carbon steel  
叶轮材质 Impeller Material: 塑料 Plastic  
防护等级 Ingress Protection: IP42  
绝缘等级 Insulation Class: F  
轴承类型 Bearing Type: 免维护滚珠轴承  
Maintenance free ball bearing

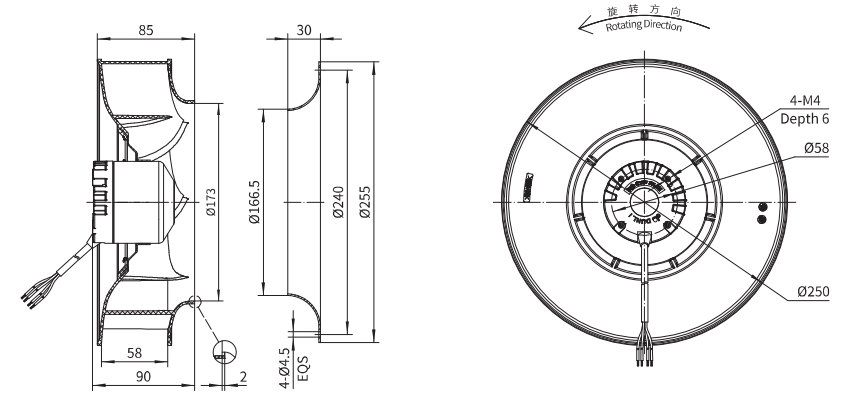
性能曲线 Performance Curves



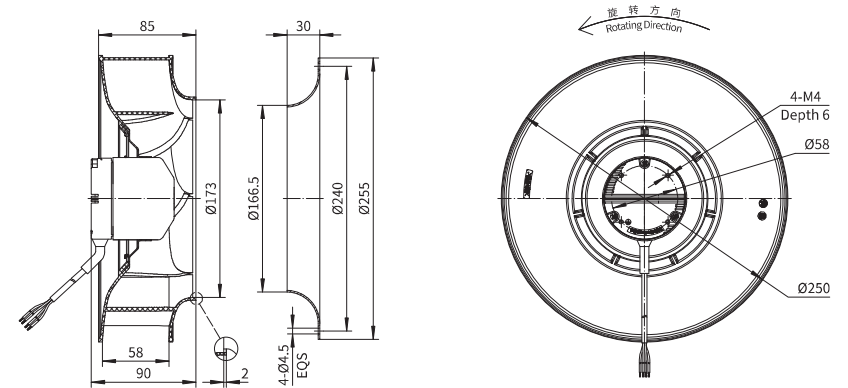
测试节点 Test Point	转速 Speed rpm	输入功率 Input Power W
1	2605	117
2	2230	117
3	2352	117
4	2082	57
5	2081	79
6	2078	96
7	1565	30
8	1565	35
9	1564	39
10	1045	10
11	1045	11
12	1045	12

Erp2015 Data:  
Efficiency  $\eta_{statA} = \% < 125W$   
Efficiency grade  $N_{actual} = , N_{target} = 44$   
Test report NO. : L-20210302-005-110

后倾离心风机 Motorized Backward Curved Impeller (24V&48V)



后倾离心风机 Motorized Backward Curved Impeller (310V)



产品型号 Model No.	电压 Voltage	频率 Frequency	转速 Speed	输入功率 Input Power	电流 Current	运行温度 Working Temp.	认证 Approvals
	VDC	Hz	RPM	W	A	Min/Max (°C)	
DC72-B250-A01	24	/	2500	120	5.00	-20/+60	CE
DC72-B250-C01	48	/	2500	120	2.50	-20/+60	CCC,CE
DC72-B250-D10	310	/	2500	120	0.39	-20/+60	CCC,CE