

DC 复翼叶轮后倾离心风机
DC Backward Curved Centrifugal Fan with Aileron Impeller

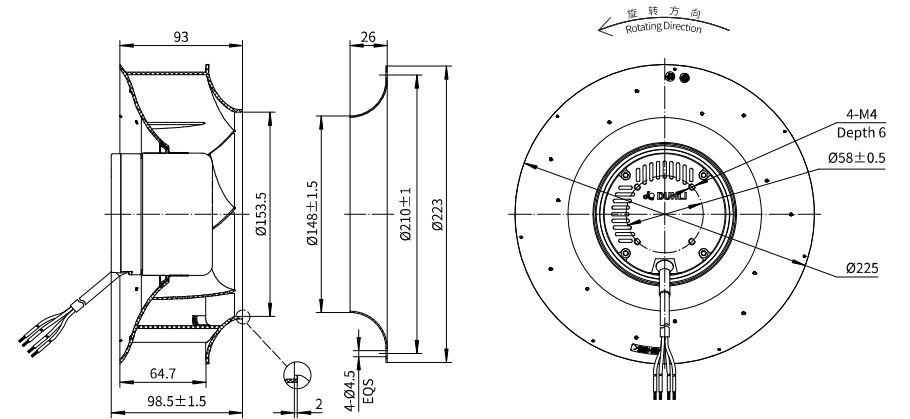
ErP2015
EXCEEDS THE NORM

后倾离心风机 Motorized Backward Curved Impeller

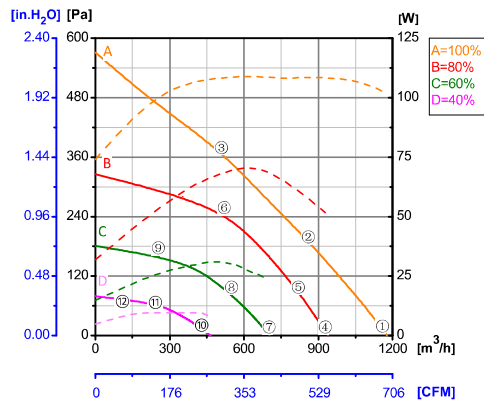


Φ 225

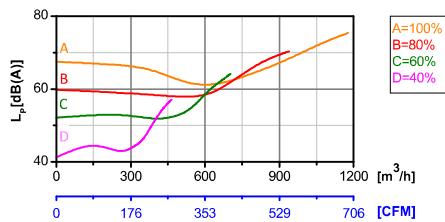
转子材质 Rotor Material: 碳钢 Carbon steel
 叶轮材质 Impeller Material: 塑料 Plastic
 防护等级 Ingress Protection: IP42
 绝缘等级 Insulation Class: F
 轴承类型 Bearing Type: 免维护滚珠轴承
 Maintenance free ball bearing



性能曲线 Performance Curves



测试节点 Test Point	转速 Speed rpm	输入功率 Input Power W
1	2647	102
2	2438	108
3	2429	108
4	2115	51
5	2096	60
6	2079	69
7	1587	22
8	1575	30
9	1582	27
10	1058	7
11	1055	10
12	1054	10



Erp2015 Data:
 Efficiency $\eta_{statA} = \% < 125W$
 Efficiency grade $N_{actual} = *, N_{target} = 62$
 Test report No. : L-20210302-005-083

产品型号 Model No.	电压 Voltage	频率 Frequency	转速 Speed	输入功率 Input Power	电流 Current	运行温度 Working temp.	认证 Approvals
	VDC	Hz	RPM	W	A	Min/Max (°C)	
DC92-B225-A10	24	/	2600	100	4.17	-20/+60	CE
DC92-B225-C10	48	/	2600	100	2.09	-20/+60	CCC, CE
DC92-B225-D10	310	/	2600	100	0.33	-20/+60	CCC, CE