



常规金属叶片轴流风机
Conventional Carbon Steel Blade Axial Fan

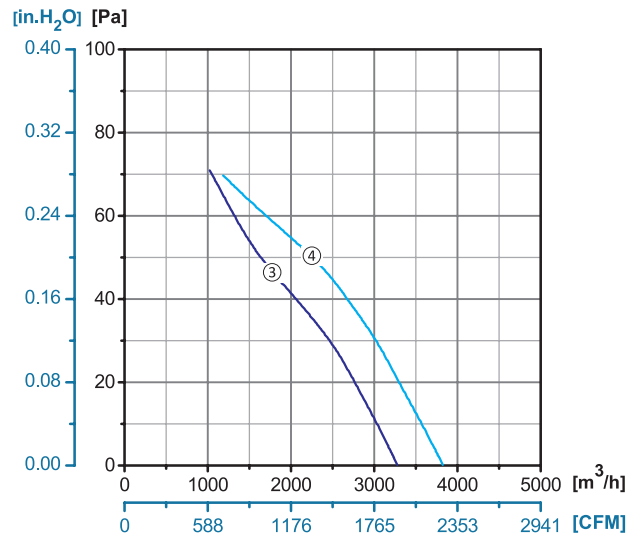
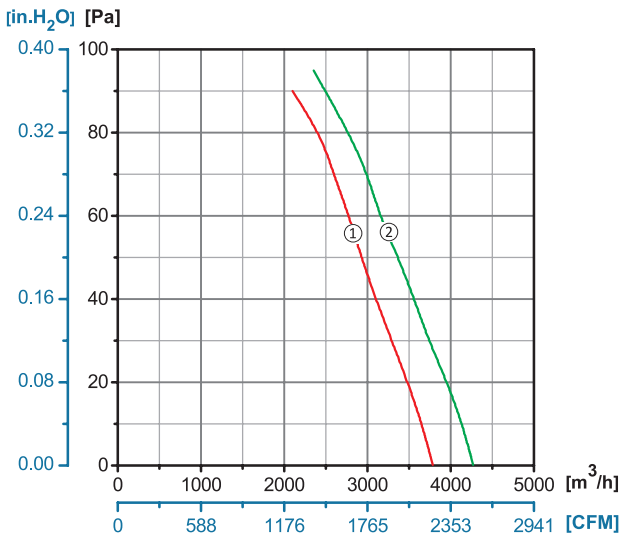
ErP2015
EXCEEDS THE NORM



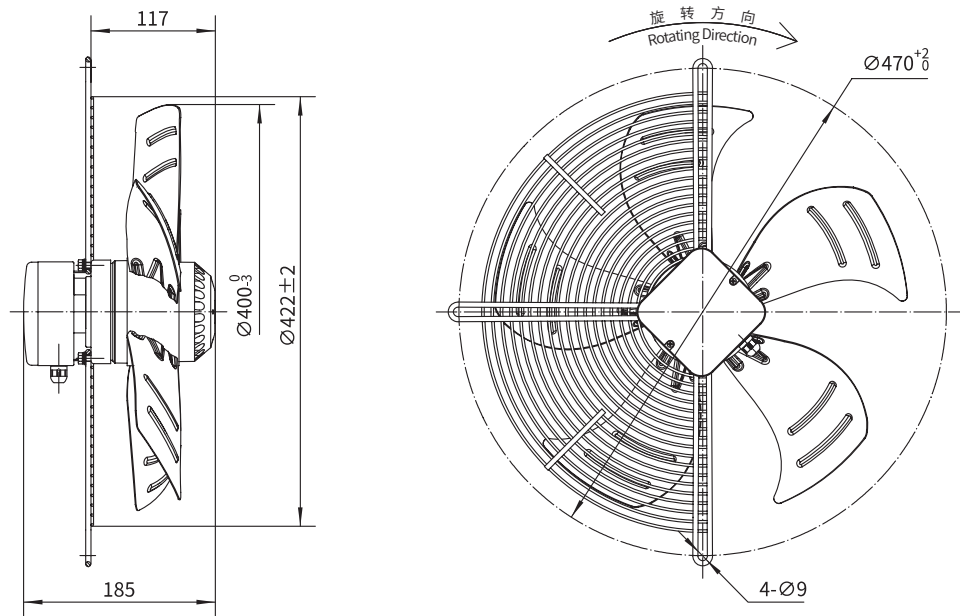
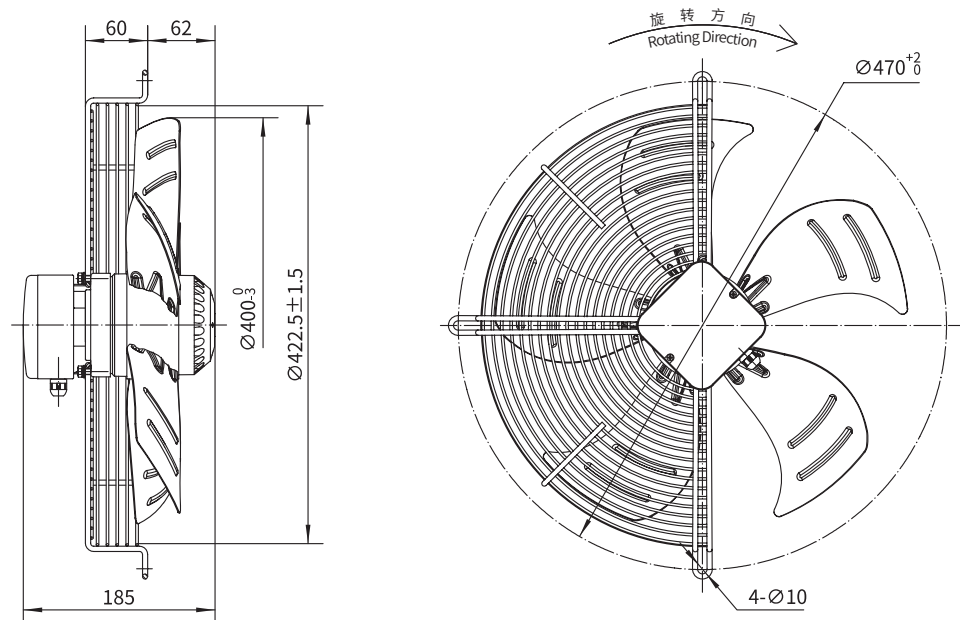
Φ400

转子材质 Rotor Material: 铸铝 Aluminum Die-casting
 叶轮材质 Impeller Material: 碳钢 Carbon Steel
 防护等级 Ingress Protection: IP54
 绝缘等级 Insulation Class: F
 轴承类型 Bearing Type: 免维护滚珠球轴承
 Maintenance Free Ball Bearing

性能曲线 Performance Curves



| Type B | Type C | Type D | Type E | Type F0 |
|-----------------------|-----------------------|-----------------------|-----------------------|-----------------------|
| YWF.A4S-400S-5B A00 | YWF.A4S-400S-5C A00 | YWF.A4S-400S-5D A00 | YWF.A4S-400S-5E A00 | YWF.A4S-400S-5F A00 |
| YWF.A4T-400S-5B A00 | YWF.A4T-400S-5C A00 | YWF.A4T-400S-5D A00 | YWF.A4T-400S-5E A00 | YWF.A4T-400S-5F A00 |
| YWF.A6S-400S-5B A00 | YWF.A6S-400S-5C A00 | YWF.A6S-400S-5D A00 | YWF.A6S-400S-5E A00 | YWF.A6S-400S-5F A00 |
| YWF.A6T-400S-5B A00 | YWF.A6T-400S-5C A00 | YWF.A6T-400S-5D A00 | YWF.A6T-400S-5E A00 | YWF.A6T-400S-5F A00 |
| YWF.A4S-400S-5B A05 | YWF.A4S-400S-5C A05 | YWF.A4S-400S-5D A05 | YWF.A4S-400S-5E A05 | YWF.A4S-400S-5F A05 |

B 型网罩 Type B

C 型网罩 Type C


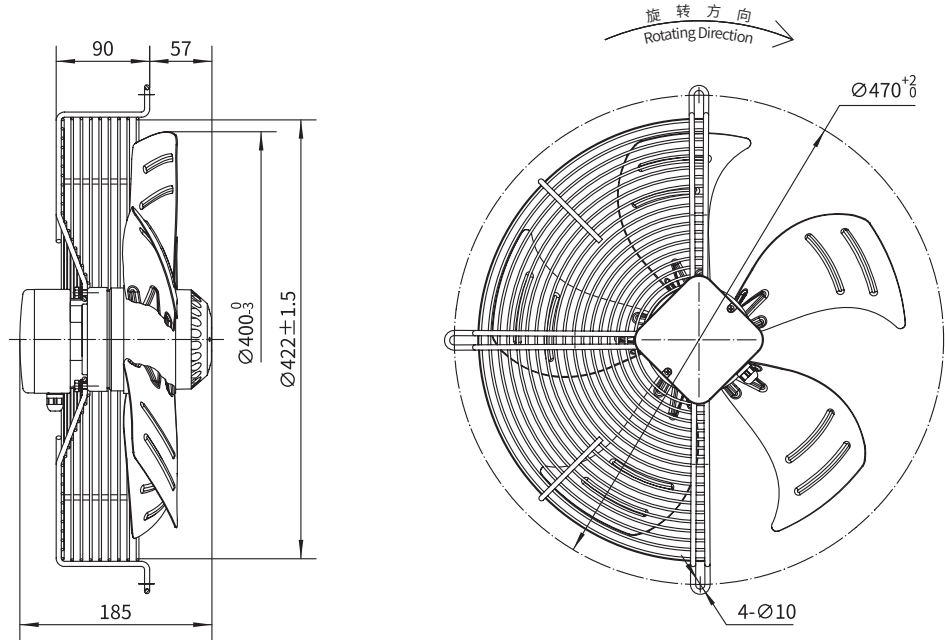
|  | 电压 Voltage | 频率 Frequency | 电流 Current | 功率 Power | 转速 Speed | 电容 Capacitor | 风量 Air Flow (0 Pa) | 噪音 Noise | 曲线 Curve | 运行温度 Working Temp. | 认证 Approvals |
|---|---------------|-----------------|---------------|-------------|-------------|-----------------|--------------------------------------|----------------|-------------|-------------------------------|-----------------|
| Type F1 | V | Hz | A | W | RPM | μF | $[\text{m}^3/\text{h}]/[\text{CFM}]$ | dB(A) | No. | Min/Max($^{\circ}\text{C}$) | |
| / | 220/230 | 50 | 0.90 | 190 | 1350 | 6 | 3800/2235 | 60 | ① | -30/+60 | CCC, CE |
| / | 220/230 | 60 | 1.22 | 270 | 1580 | 6 | 4300/2529 | 65 | ② | -30/+60 | CCC, CE, UL |
| / | 380/400 | 50 | 0.50 | 190 | 1370 | / | 3800/2235 | 60 | ① | -30/+60 | CCC, CE |
| / | 380/400 | 60 | 0.47 | 250 | 1620 | / | 4300/2529 | 65 | ② | -30/+60 | CCC, CE, UL |
| / | 220/230 | 50 | 0.50 | 110 | 950 | 4 | 3275/1926 | 55 | ③ | -30/+60 | CCC, CE |
| / | 220/230 | 60 | 0.54 | 120 | 1100 | 4 | 3825/2250 | 57 | ④ | -30/+60 | CCC, CE, UL |
| / | 380/400 | 50 | 0.31 | 110 | 930 | / | 3275/1926 | 55 | ③ | -30/+60 | CCC, CE |
| / | 380/400 | 60 | 0.30 | 135 | 1050 | / | 3825/2250 | 57 | ④ | -30/+60 | CCC, CE, UL |
| / | 110/120 | 60 | 2.20 | 270 | 1500 | 24 | 3800/2235 | 65 | ② | -30/+60 | UL |



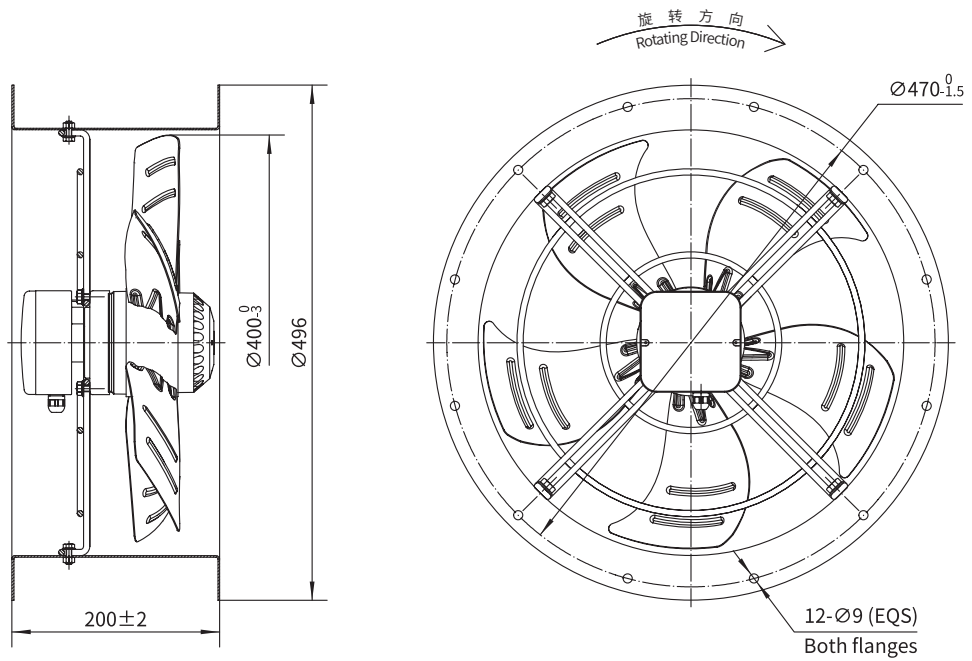
常规金属叶片轴流风机
Conventional Carbon Steel Blade Axial Fan

Φ400

D 型网罩 Type D



E 型导风筒 Type E

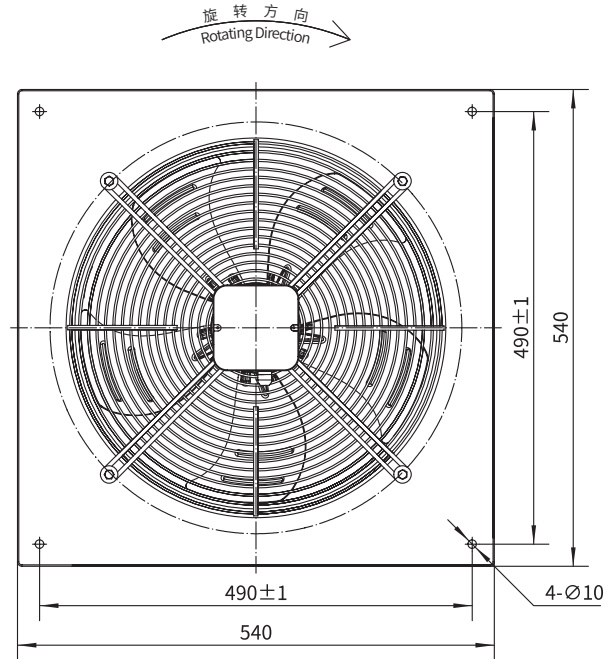
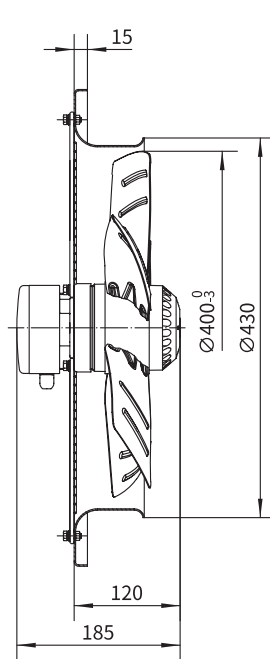




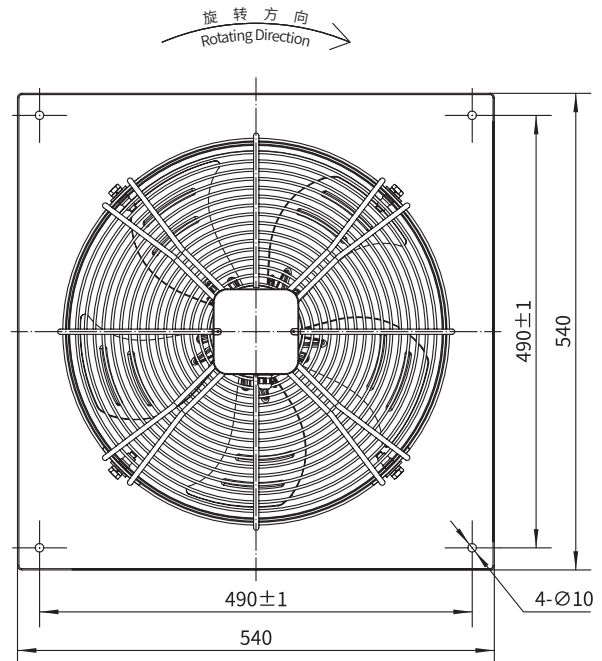
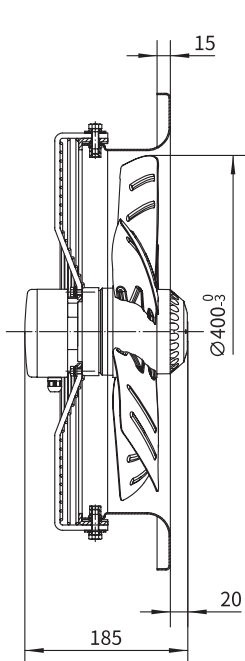
常规金属叶片轴流风机
Conventional Carbon Steel Blade Axial Fan

Φ400

F0 型面板 Type F0



F1 型面板 Type F1



常规金属叶片轴流风机
Conv. Steel Blade Axial

