



**常规金属叶片轴流风机**  
**Conventional Carbon Steel Blade Axial Fan**

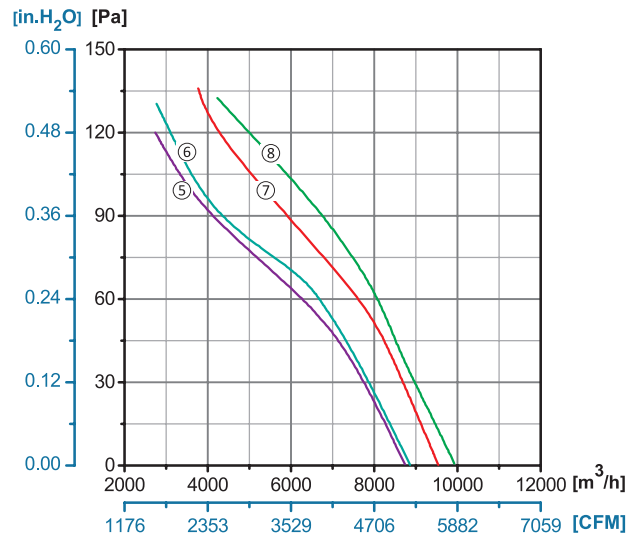
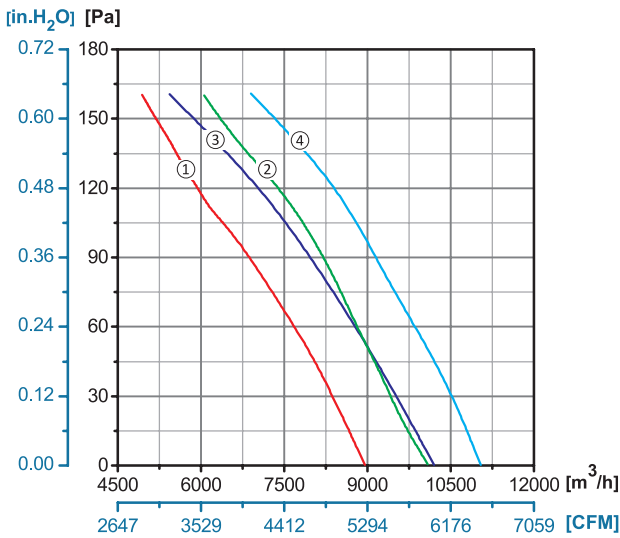
**ErP2015**  
EXCEEDS THE NORM








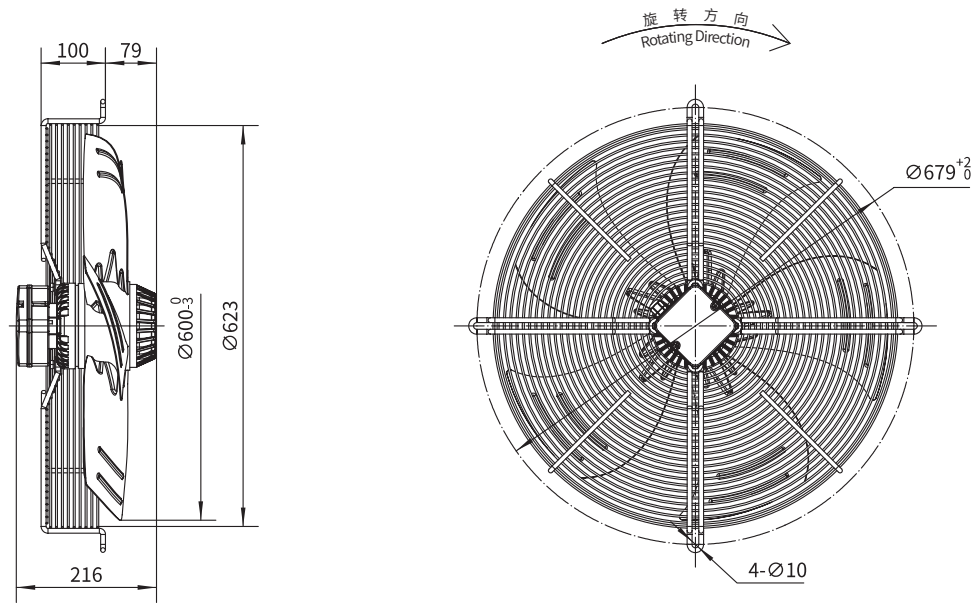
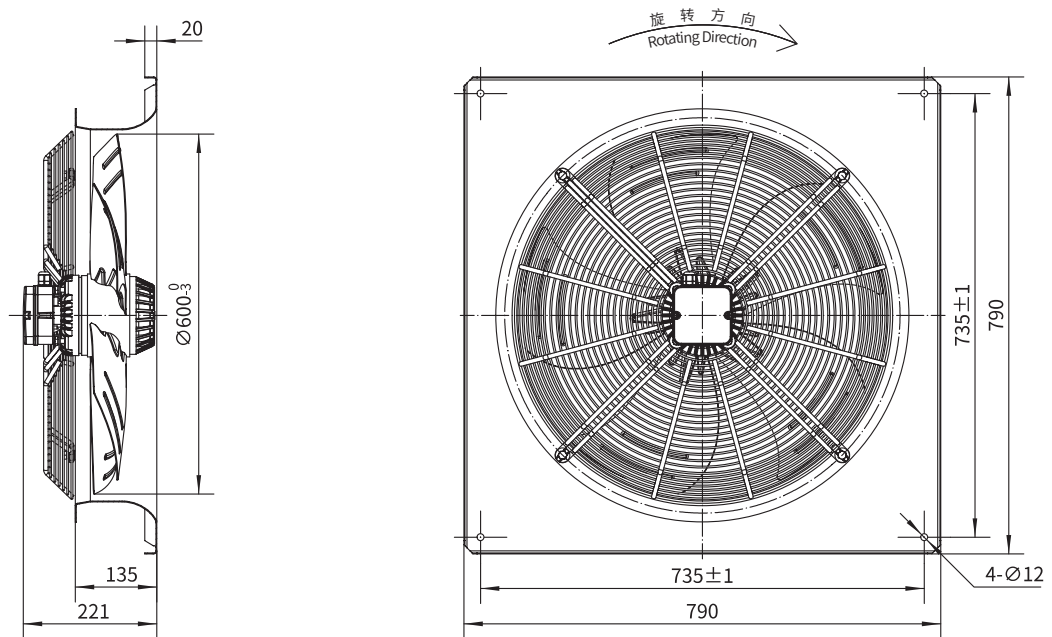
**Φ600**


转子材质 Rotor Material: 铸铝 Aluminum Die-casting  
 叶轮材质 Impeller Material: 碳钢 Carbon Steel  
 防护等级 Ingress Protection: IP54  
 绝缘等级 Insulation Class: F  
 轴承类型 Bearing Type: 免维护滚珠球轴承  
 Maintenance Free Ball Bearing

**性能曲线 Performance Curves**



				
Type B	Type C	Type D	Type E	Type F0
/	/	YWF.A4S-600S-5D   A00	/	/
/	/	YWF.A4T-600S-5D   A00	/	/
/	/	YWF.A6S-600S-5D   A00	/	/
/	/	YWF.A6T-600S-5D   A00	/	/

**D 型网罩 Type D**

**F1 型面板 Type F1**


	电压 Voltage	频率 Frequency	电流 Current	功率 Power	转速 Speed	电容 Capacitor	风量 Air Flow (0 Pa)	噪音 Noise	曲线 Curve	运行温度 Working Temp.	认证 Approvals
Type F1	V	Hz	A	W	RPM	µF	[m³/h]/[CFM]	dB(A)	No.	Min/Max(°C)	
YWF.A4S-600S-5F   A01	220/230	50	3.80	800	1380	16	8950/5265	73	①	-30/+60	CCC, CE
	220/230	60	4.20	920	1640	16	10080/5929	75	②	-30/+60	CCC, CE, UL
YWF.A4T-600S-5F   A01	380/400	50	1.50	800	1350	/	10200/6000	73	③	-30/+60	CCC, CE
	380/400	60	2.00	1000	1550	/	11000/6490	76	④	-30/+60	CCC, CE, UL
YWF.A6S-600S-5F   A01	220/230	50	2.40	500	910	12	8733/5137	65	⑤	-30/+60	CCC, CE
	220/230	60	2.94	640	1080	12	9930/5841	70	⑧	-30/+60	CCC, CE, UL
YWF.A6T-600S-5F   A01	380/400	50	1.50	500	920	/	8860/5212	67	⑥	-30/+60	CCC, CE
	380/400	60	1.50	650	1070	/	9550/5618	69	⑦	-30/+60	CCC, CE, UL

