

DC 前倾离心及鼓风机  
DC Forward Curved Centrifugal Fan and Blower

ErP2015  
EXCEEDS THE NORM

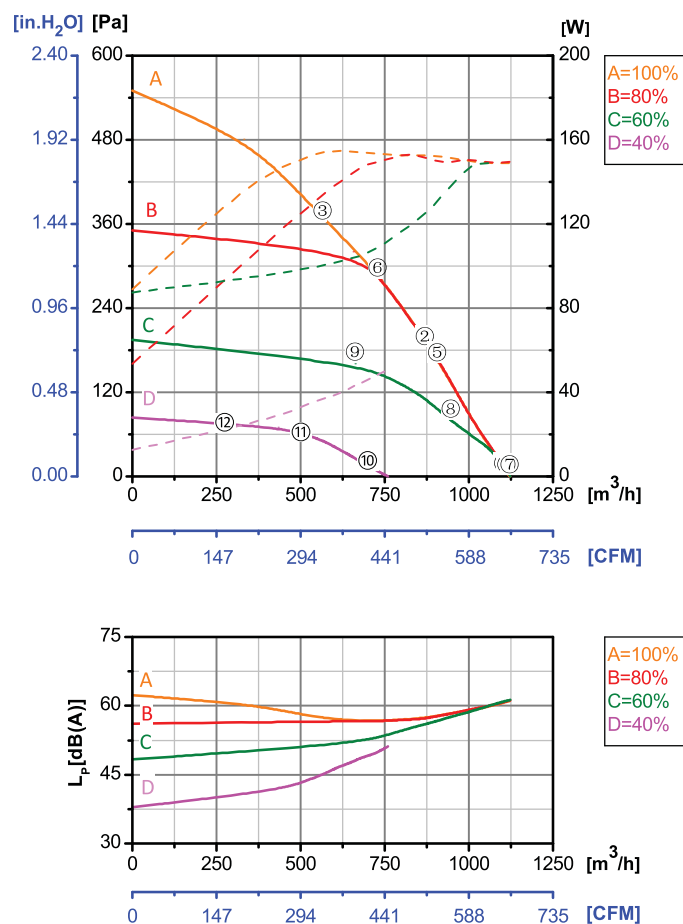
鼓风机 Blower



Φ 146

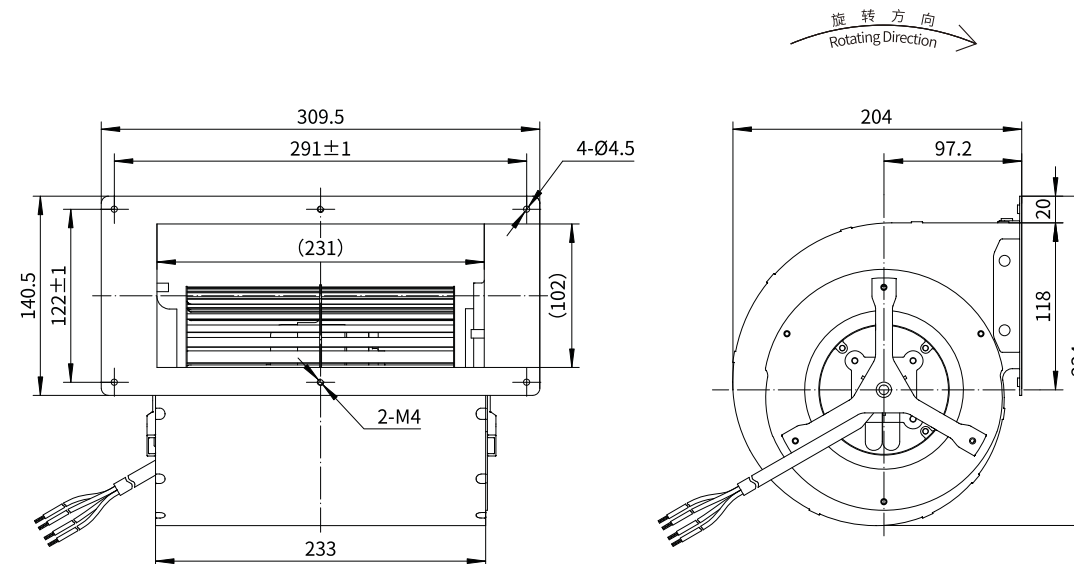
转子材质 Rotor Material: 碳钢 Carbon steel  
 蜗壳材质 Housing Material: 碳钢 Carbon steel  
 叶轮材质 Impeller Material: 镀锌板 Galvanized steel sheet  
 防护等级 Ingress Protection: IP42  
 绝缘等级 Insulation Class: F  
 轴承类型 Bearing Type: 免维护滚珠球轴承  
 Maintenance free ball bearing

性能曲线 Performance Curves



测试节点 Test Point	转速 Speed rpm	输入功率 Input Power W
1	1685	149
2	2016	152
3	2492	155
4	1685	149
5	1975	150
6	2255	149
7	1687	148
8	1765	129
9	1772	87
10	1180	51
11	1182	42
12	1185	34

Erp2015 Data:  
 Efficiency  $\eta_{statA}$  = 44%  
 Efficiency grade  $N_{actual}$  = 55.5,  $N_{target}$  = 44  
 Test report No. : L-20210302 -003-086



产品型号 Model No.	电压 Voltage	频率 Frequency	转速 Speed	输入功率 Input Power	电流 Current	运行温度 Working Temp.	认证 Approvals
	VDC	Hz	RPM	W	A	Min/Max (°C)	
DC92-F146-C10	48	/	1700	150	3.10	-20/+60	CCC,CE
DC92-F146-D10	310	/	1700	150	0.48	-20/+60	CCC,CE