



常规金属叶片轴流风机
Conventional Carbon Steel Blade Axial Fan

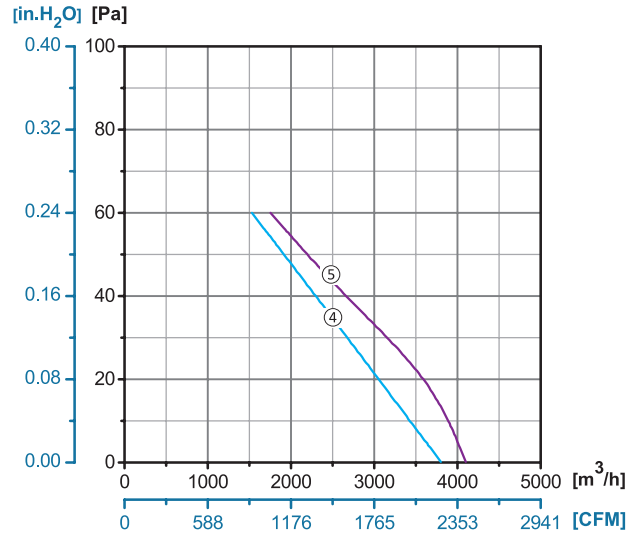
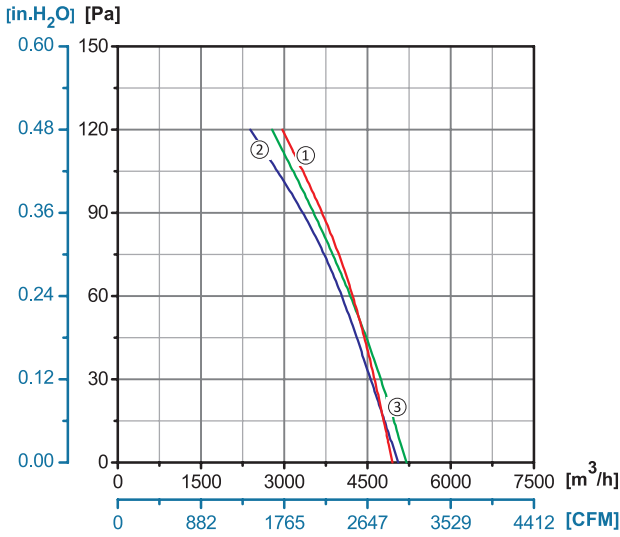
ErP2015
EXCEEDS THE NORM








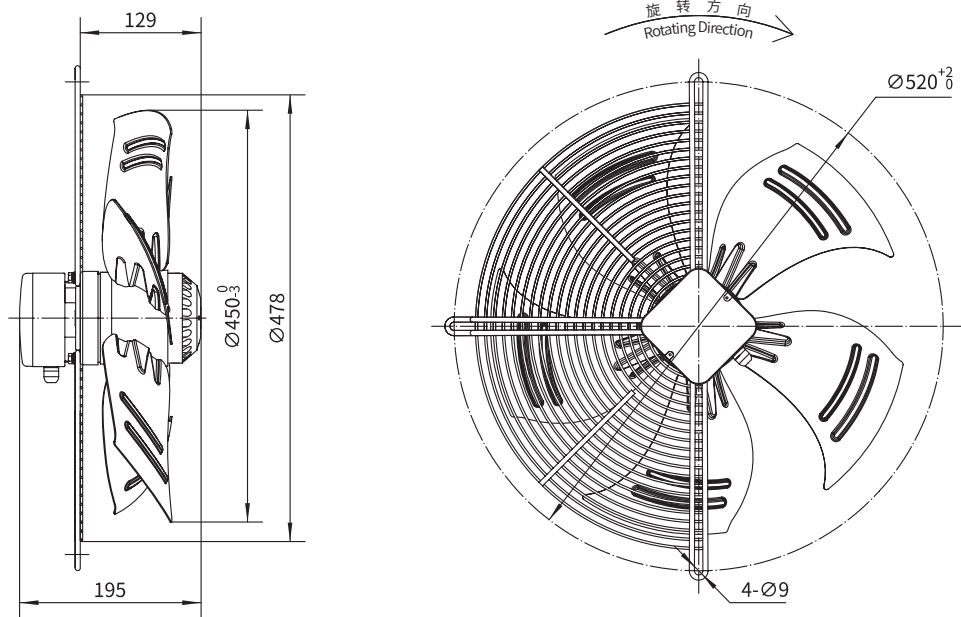
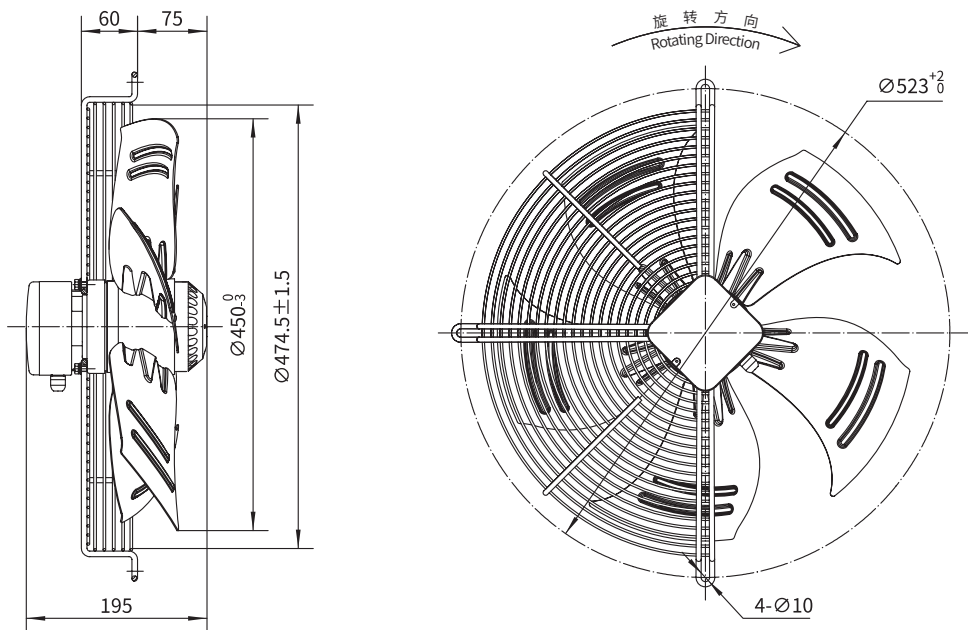
Φ450

转子材质 Rotor Material: 铸铝 Aluminum Die-casting
 叶轮材质 Impeller Material: 碳钢 Carbon Steel
 防护等级 Ingress Protection: IP54
 绝缘等级 Insulation Class: F
 轴承类型 Bearing Type: 免维护滚珠球轴承
 Maintenance Free Ball Bearing

性能曲线 Performance Curves



 Type B	 Type C	 Type D	 Type E	 Type F0
YWF.A4S-450S-5B A00	YWF.A4S-450S-5C A00	YWF.A4S-450S-5D A00	YWF.A4S-450S-5E A00	YWF.A4S-450S-5F A00
YWF.A4T-450S-5B A00	YWF.A4T-450S-5C A00	YWF.A4T-450S-5D A00	YWF.A4T-450S-5E A00	YWF.A4T-450S-5F A00
YWF.A6S-450S-5B A00	YWF.A6S-450S-5C A00	YWF.A6S-450S-5D A00	YWF.A6S-450S-5E A00	YWF.A6S-450S-5F A00
YWF.A6T-450S-5B A00	YWF.A6T-450S-5C A00	YWF.A6T-450S-5D A00	YWF.A6T-450S-5E A00	YWF.A6T-450S-5F A00
YWF.A4S-450S-5B A05	YWF.A4S-450S-5C A05	YWF.A4S-450S-5D A05	YWF.A4S-450S-5E A05	YWF.A4S-450S-5F A05

B 型网罩 Type B

C 型网罩 Type C


	电压 Voltage	频率 Frequency	电流 Current	功率 Power	转速 Speed	电容 Capacitor	风量 Air Flow (0 Pa)	噪音 Noise	曲线 Curve	运行温度 Working Temp.	认证 Approvals
Type F1	V	Hz	A	W	RPM	µF	[m³/h]/[CFM]	dB(A)	No.	Min/Max(°C)	
YWF.A4S-450S-5F A01	220/230	50	1.15	250	1350	7	5200/3058	62	③	-30/+60	CCC, CE
	220/230	60	1.35	290	1600	7	4950/2911	66	①	-30/+60	CCC, CE, UL
YWF.A4T-450S-5F A01	380/400	50	0.55	250	1380	/	5050/2970	62	②	-30/+60	CCC, CE
	380/400	60	0.53	290	1600	/	4800/2823	66	①	-30/+60	CCC, CE, UL
YWF.A6S-450S-5F A01	220/230	50	0.65	135	920	6	3800/2235	56	④	-30/+60	CCC, CE
	220/230	60	0.79	175	1100	6	4100/2412	58	⑤	-30/+60	CCC, CE, UL
YWF.A6T-450S-5F A01	380/400	50	0.33	120	910	/	3800/2235	56	④	-30/+60	CCC, CE
	380/400	60	0.34	145	1030	/	4100/2412	58	⑤	-30/+60	CCC, CE, UL
YWF.A4S-450S-5F A15	110/120	60	2.40	300	1600	22	4950/2911	66	①	-30/+60	UL

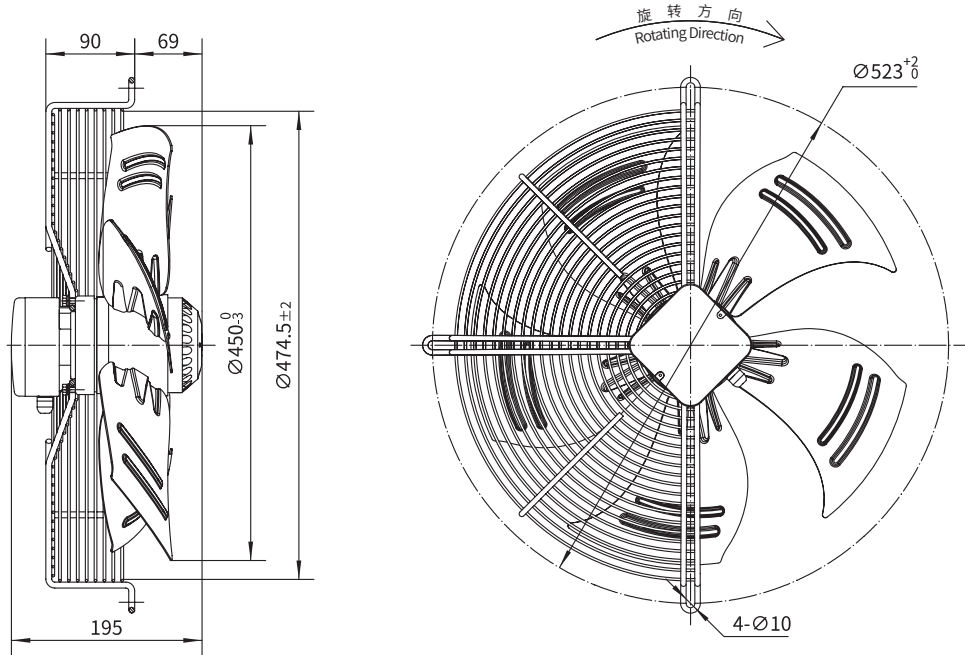




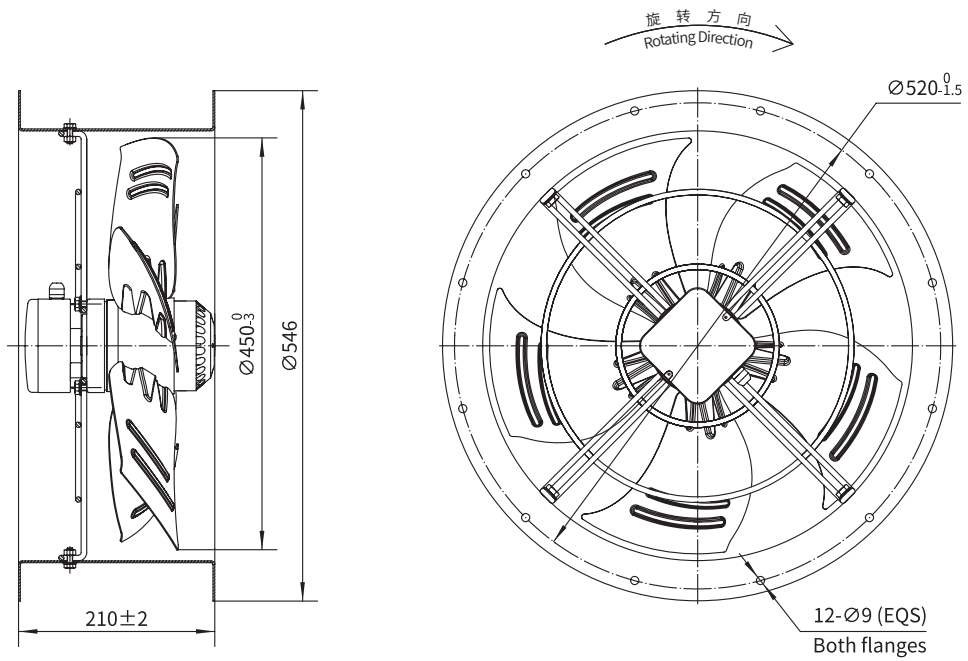
常规金属叶片轴流风机
Conventional Carbon Steel Blade Axial Fan

Φ450

D 型网罩 Type D



E 型导风筒 Type E

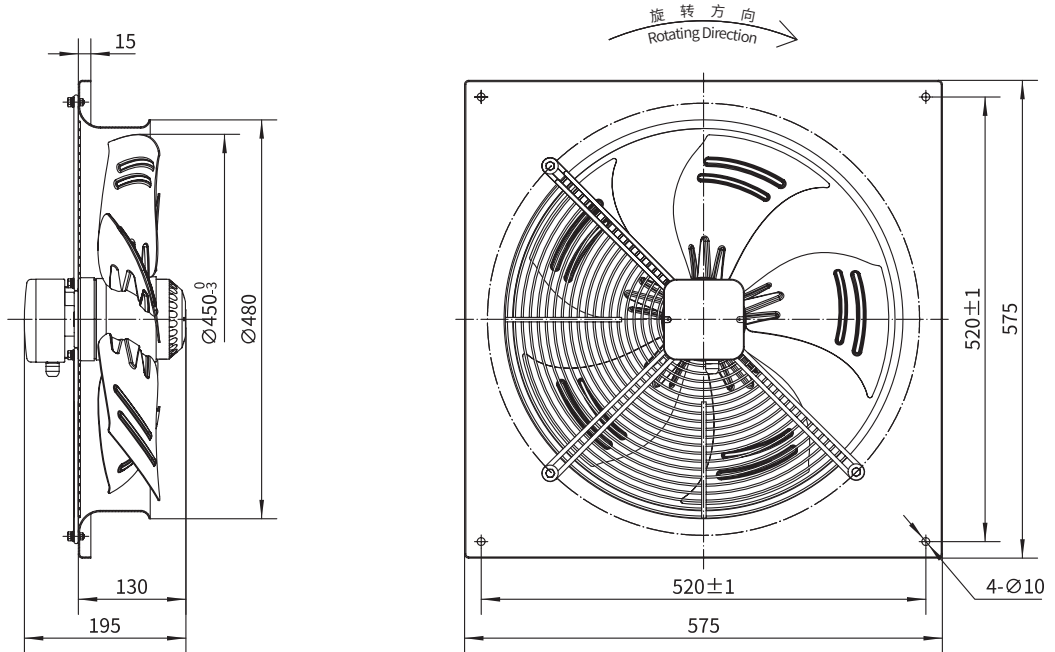




常规金属叶片轴流风机
Conventional Carbon Steel Blade Axial Fan

Φ450

F0 型面板 Type F0



常规金属叶片轴流风机
Conv. Steel Blade Axial

F1 型面板 Type F1

