

EC BACKWARD CENTRIFUGAL FAN

EC BACKWARD CENTRIFUGAL FAN



EC72-B175

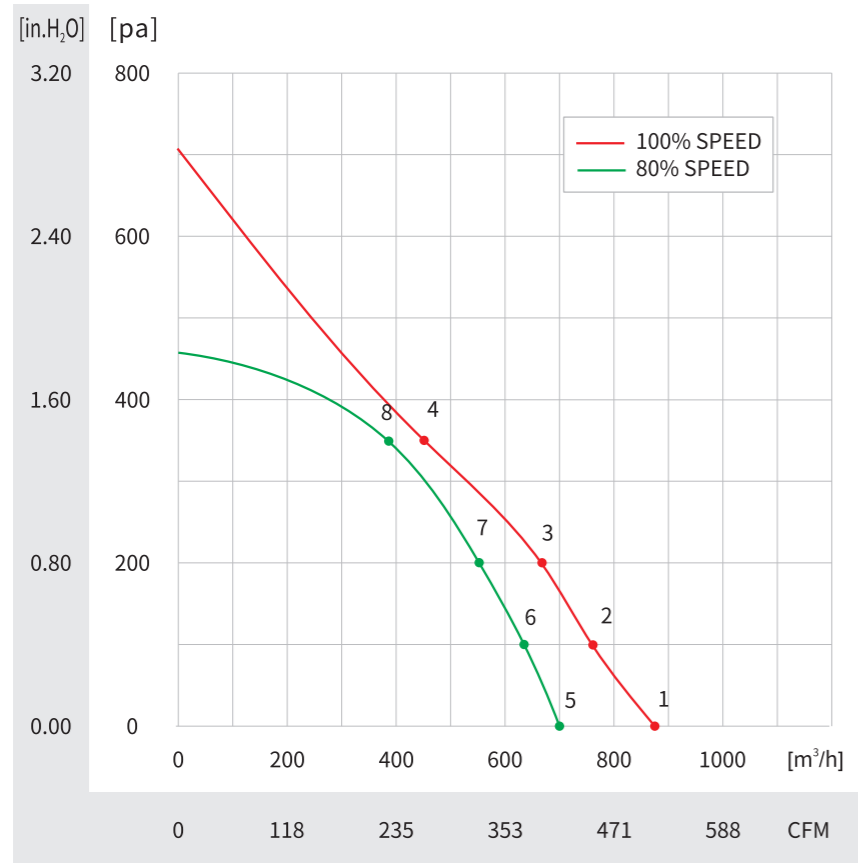
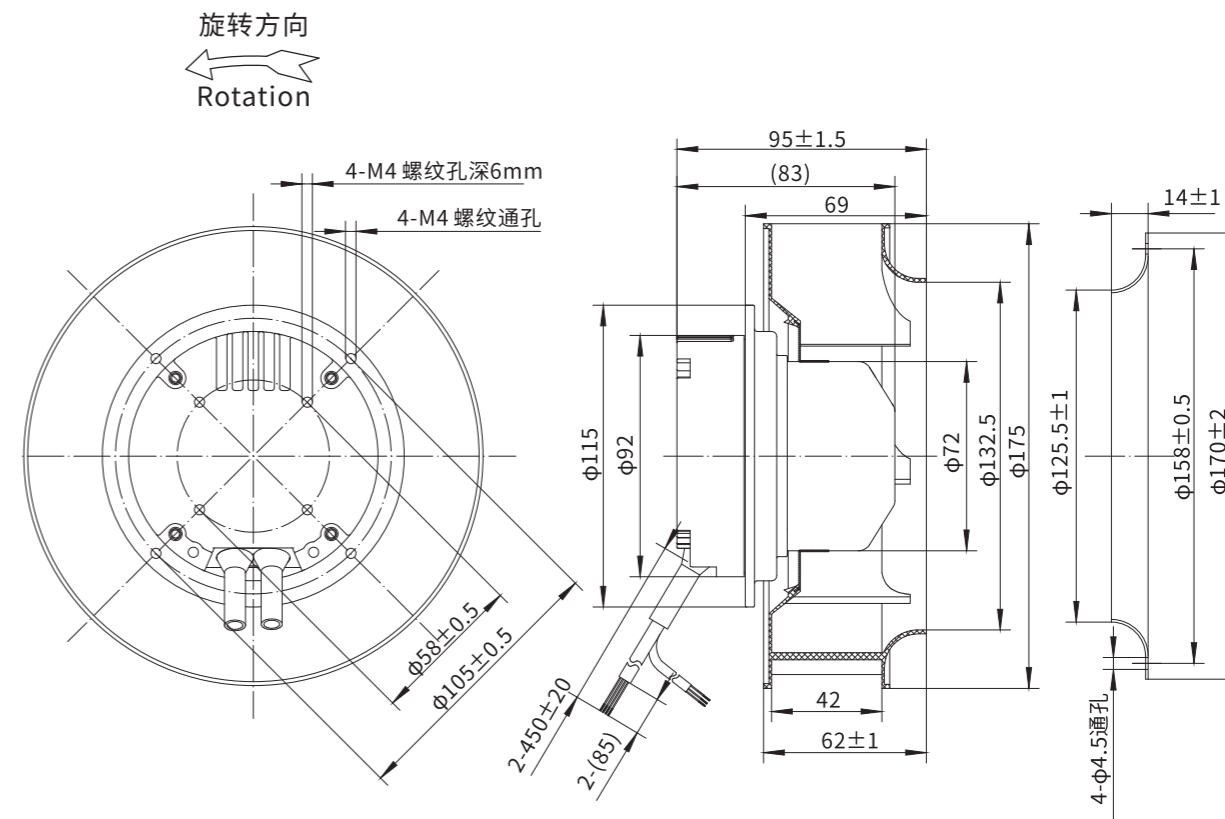
ErP2015
EXCEEDS THE NORM

防护等级 (Level of protection): IP44

绝缘等级 (Insulation class): B

产品认证 (Approval): CE、CCC

型号 Model	额定电压 Rated Voltage	频率 Frequency	转速 Speed	输入功率 Input Power	电流 Current	噪音 Noise	使用温度 Applicable Temp
	VAC	Hz	RPM	W	A	dB	°C
EC72-B175	220/230	50/60	4500	108	0.9	79	-20~+60



No.	转速 Speed	输入功率 Input Power
	[RPM]	[W]
1	4507	111.8
2	4194	107.9
3	4128	107.8
4	3786	101.1
5	3616	56.8
6	3612	71.5
7	3613	77.0
8	3617	87.8

